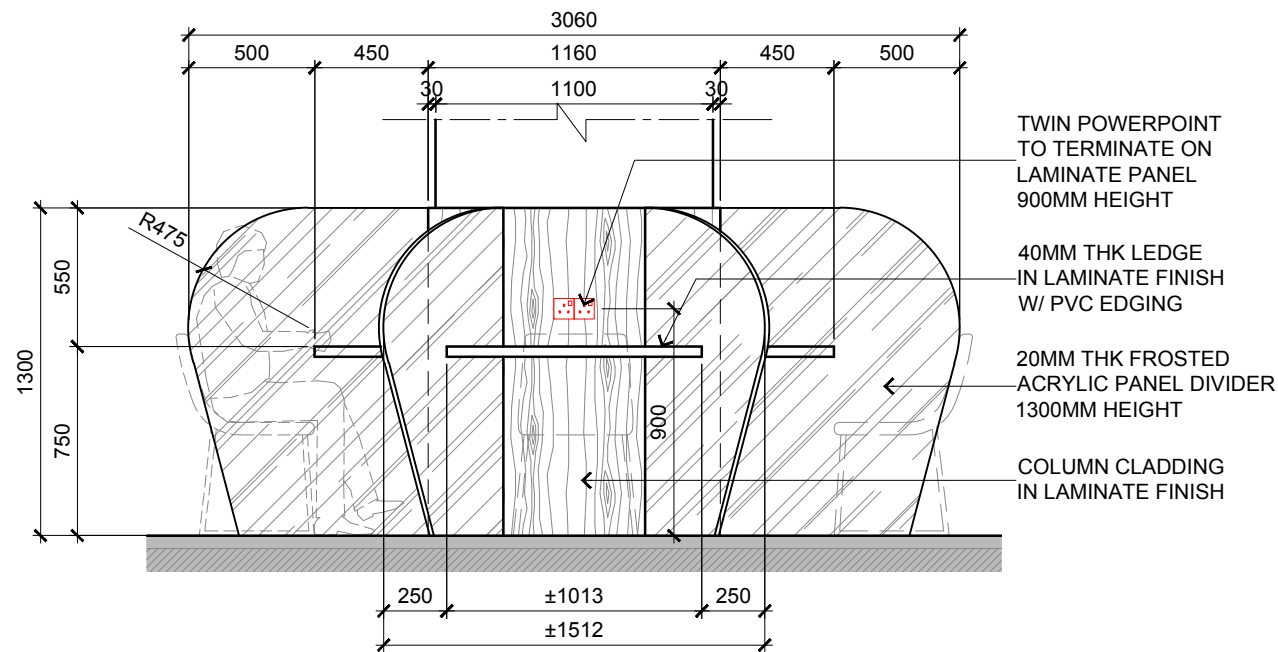


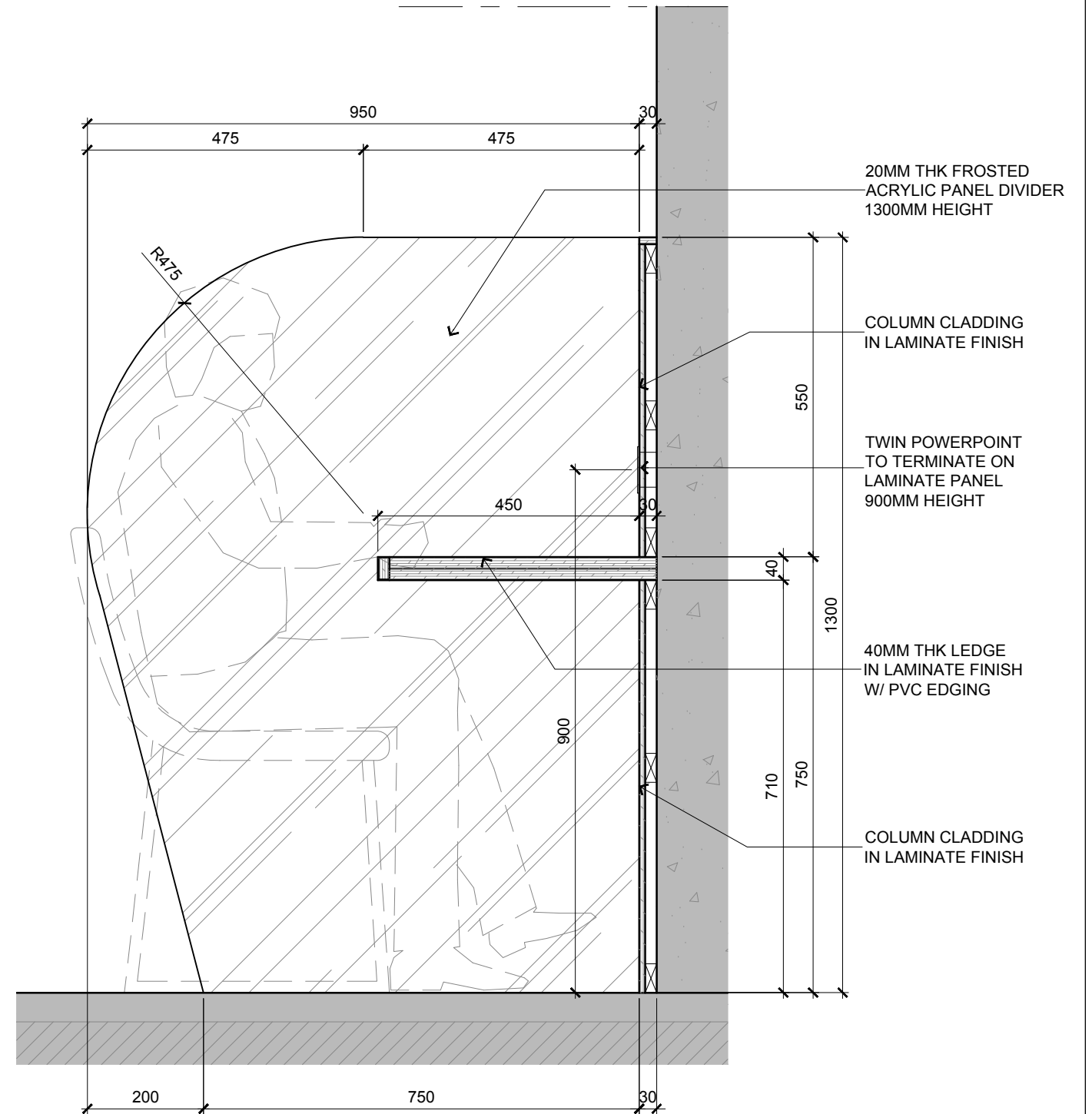
LIBRARY - BLOCK B GROUND FLOOR
INDIVIDUAL CARREL PLAN DETAIL

4 SCALE 1:30



LIBRARY - BLOCK B GROUND FLOOR
INDIVIDUAL CARREL ELEVATION

5 SCALE 1:30



LIBRARY - BLOCK B GROUND FLOOR
INDIVIDUAL CARREL SECTION DETAIL

6 SCALE 1:10

TENDER DRAWING



ARCHITECTURE GROUP-STUDIO A
CPG CONSULTANTS PTE LTD
 1 GATEWAY DRIVE #25-01
 WESTGATE TOWER, SINGAPORE 608531
 TEL: 6357 4888 FAX: 6357 4188

©2014, CPG Consultants Pte Ltd reserves all rights to these drawings, designs and/or any other data contained herein. No part of the said drawings, designs and/or other data may be reproduced, modified, transmitted or used in any form or by any means for any purpose without the prior written consent of CPG Consultants Pte Ltd other than the sole purpose for which such drawings, designs and/or other data are provided to licensed users on such terms as CPG Consultants Pte Ltd may prescribe.

Job Title
 INTERIOR DESIGN WORKS FOR PROPOSED KDU PENANG
 @ BATU KAWAN, PENANG MALAYSIA

Drawing Title
LIBRARY CARREL DETAILS
 BLOCK B GROUND FLOOR

Senior Vice President	TAN PHENG CHEE
Vice President	PATRICK TAN
Principal Interior Designer	BETH SONCUYA
Principal Architectural Associate	-
Architectural Associate	-

Drawn By	TEAM	Date: DEC 16
Checked By	BETH	Date: DEC 16
Project Code :	Drawing No. :	REV. :
P5679	ID-FT-B-302-06	-
		Scale : AS SHOWN CAD Ref.