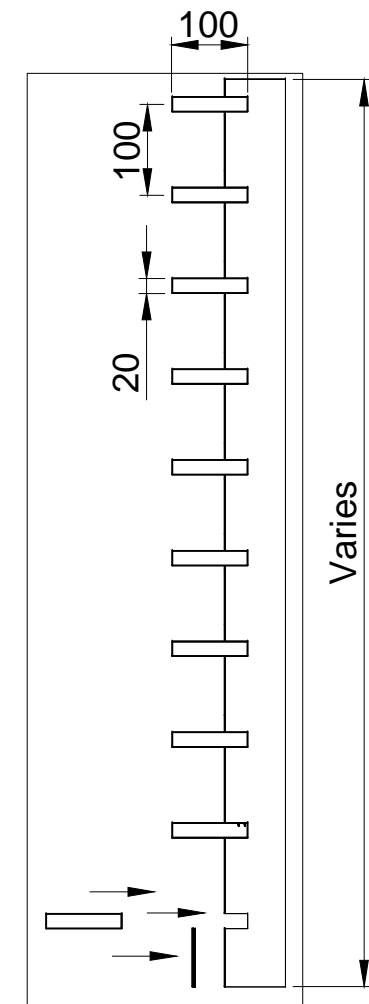


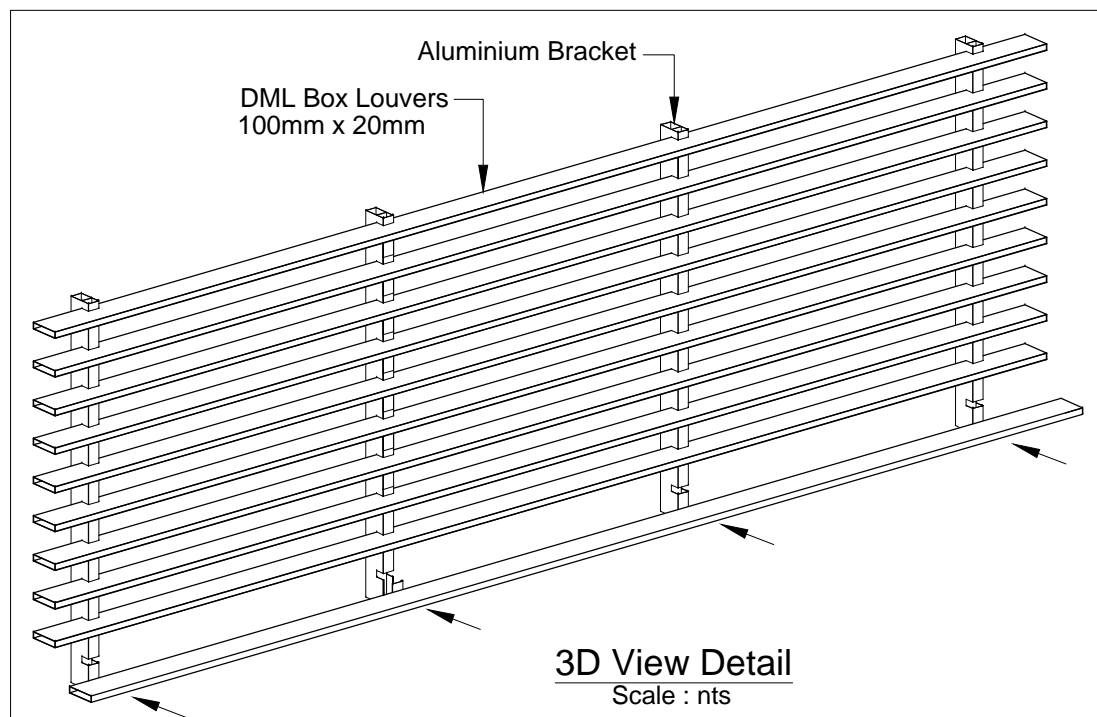
Rear View

Scale : 1/15



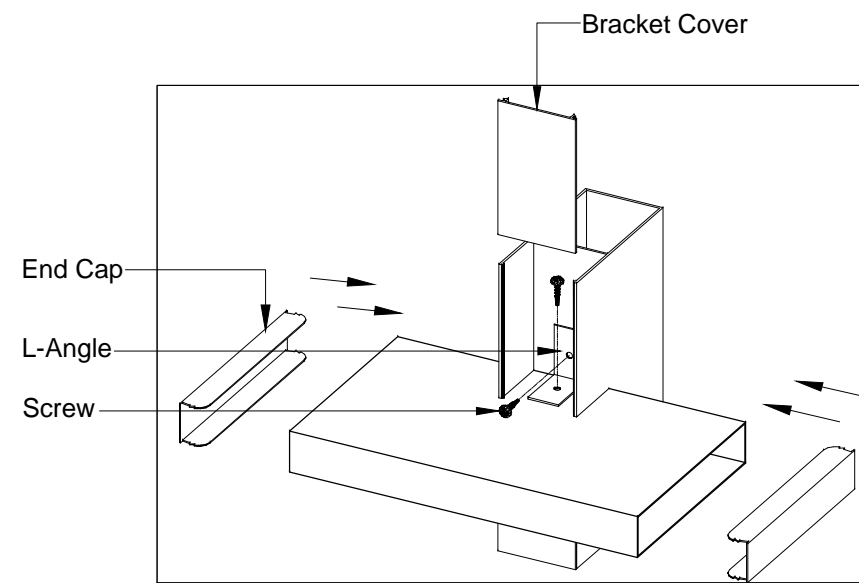
Side View

Scale : nts



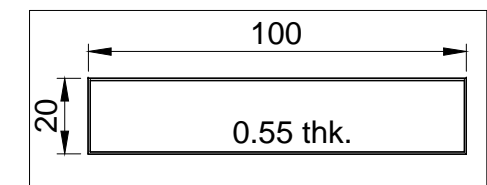
3D View Detail

Scale : nts



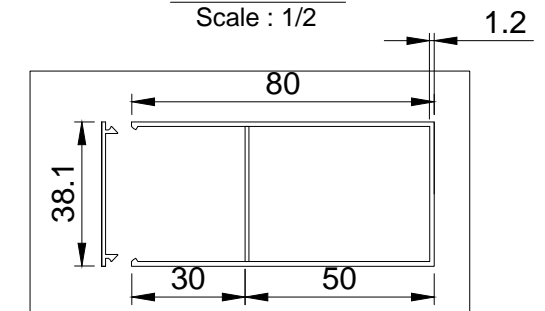
Typical Detail

Scale : nts



Box Detail

Scale : 1/2



Bracket Detail

Scale : 1/2

Project :-

Manufacturer :-

Title :-
**TYPICAL INSTALLATION FOR
DML BL VERTICAL BOX LOUVERS
100mm x 20mm**

Date :-
20-4-2010

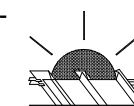
Drawn :-
Ismail

Scale :-
As Shown

Checked :-

Ref. No :-
DML-SD-VER-BL-02

Approved :-



DML PRODUCTS SDN. BHD.

(505213-P)

Manufacturer of Metal Ceiling and Louvers
Lot 27, Jalan RP 2, Rawang Industrial & Housing Estate,
48000 Rawang, Selangor Darul Ehsan,
West Malaysia.

Tel : 603-6091 8377 Fax : 603-6091 8375
Web : www.dml.com.my Email : sales@dml.com.my